

### Open Frame Touch Monitor

#### HO 225 DTB

54,6 cm / 21.5" Diagonal  
LED Backlight – Format 16:9

- 1920 x 1080 Resolution Full HD 1080p
- 10-Point Touch P-Cap Technology
- 178° / 178° Ultra Wide Viewing Angle
- Dual Input: DVI-D + VGA
- IP54 (front) Rating Level
- Display Protection: Thickness 3,3mm
- ≥6H Toughened Hard Panel Surface
- Slim Profile with Narrow Edges
- Sturdy Metal Case
- Touch-Through Glass (available upon request\*)
- VESA Mount and Multiple Mounting Options
- Edge to Edge glass without raised frame
- Orientation: Landscape, Portrait, Face-Up



54,6 cm / 21.5"

Part. No.: HO 225 DTB

#### SIZE, RESOLUTION

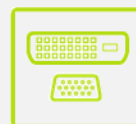


21.5"  
16:9 Aspect Ratio



Full HD  
1920 x 1080

#### CONNECTIVITY, IP LEVEL

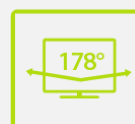


VGA  
DVI-D



IP 54  
Water & Dust  
Protection

#### VIEWING ANGLE, VESA



178 Ultra-Wide  
Viewing Angle



VESA  
Wall-Mountable

#### OTHER FEATURES



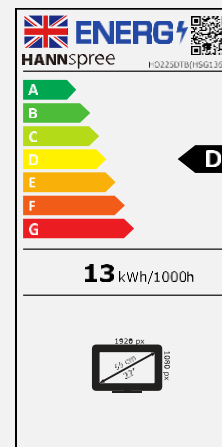
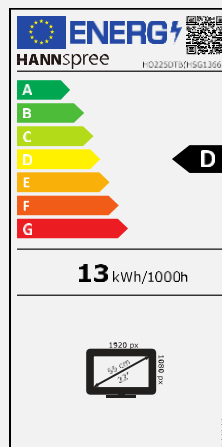
Display  
Protection



Touch-Through  
Glass

Display Size	54,61 cm / 21.5" Diagonal
Panel Type	TFT – LED Backlight, ADS Panel
Aspect Ratio	16:9
Resolution (H x V)	1920 x 1080 Full HD
Brightness	250cd/m <sup>2</sup>
Contrast (Typ.)	1.000:1 (Typical)
Display Area	476 x 268 mm
Viewing Angle L/R; U/D	178° H / 178° V
Response Time	14 msec (Typical)
Pixel Pitch	0,247 (H) x 0,247 (V) mm
Touch Type	Projected Capacitive Type – 10 Point Touch Material Glass + Glass
Display Colors	16.7M Colors
Horizontal Frequency	30 ~ 81 kHz
Vertical Frequency	55 ~ 75 Hz
Max Display Frequency	1920 x 1080 @ 60Hz
Input 1	VGA
Input 2	DVI-D
Input 3	USB (Touch)
Speakers	-
Power Consumption	On: 13W; Stand-by: 0,3W; Off: 0,3W
AC Power Range	12 Volt / 3A External Power Supply
Product Dimensions	526,6 x 42 x 318,2 mm (W x D x H)
Packing Dimensions	570 x 150 x 380 mm (W x D x H)
Net / Gross Weight	6,2 Kg / 7,5 Kg

VESA Mounting	75 x 75 mm / 100 x 100 mm Screws: M4, 4mm (Max), pitch 0,7 mm
Display Protection	Thickness 3,3±0,3 mm
Hardness / Transmittance	≥6H Toughened hard panel surface / ≥85%
IP Rating Level	IP 54 (Front), Water and Dust Protection *
Accessory	Power supply; VGA Cable (1,8m); USB Cable for Touch.
On Screen Display	9 Languages
Color	9300, 7500, 6500, sRGB, User Mode
Orientation	Landscape, Portrait, Face-Up



Supplier's Name	HANNspree
Model Name	HO225DTB
Energy efficiency class for standard Dynamic Range (SDR)	D
Annual Energy Power Consumption (kWh/1000h)	13 kWh/1000h
On mode power demand for Standard Dynamic Range (SDR)	13 W
Off mode power demand (W)	0,3 W
Standby mode power demand (W)	0,3 W
Screen Diagonal (cm / inches)	54,6cm / 21.5"
Resolution	1920 x 1080

© 2021 HANNspree Europe Holdings B.V. Specifications and design as well as accessories are subject to change without notice. Screen shots are simulated. Actual products may differ slightly from those illustrated on this promotion material. Please refer to actual samples for final selection. The products displayed on this promotion material may not be available for purchase in your particular country or locality. Please check with your local HANNspree authorized representatives for the availability of specific products in your area. All brand, product, Service names and logos are trademarks and/or registered trademarks of their respective manufactures and Companies.

PART. NO.:  
HO 225 DTB (RAC)

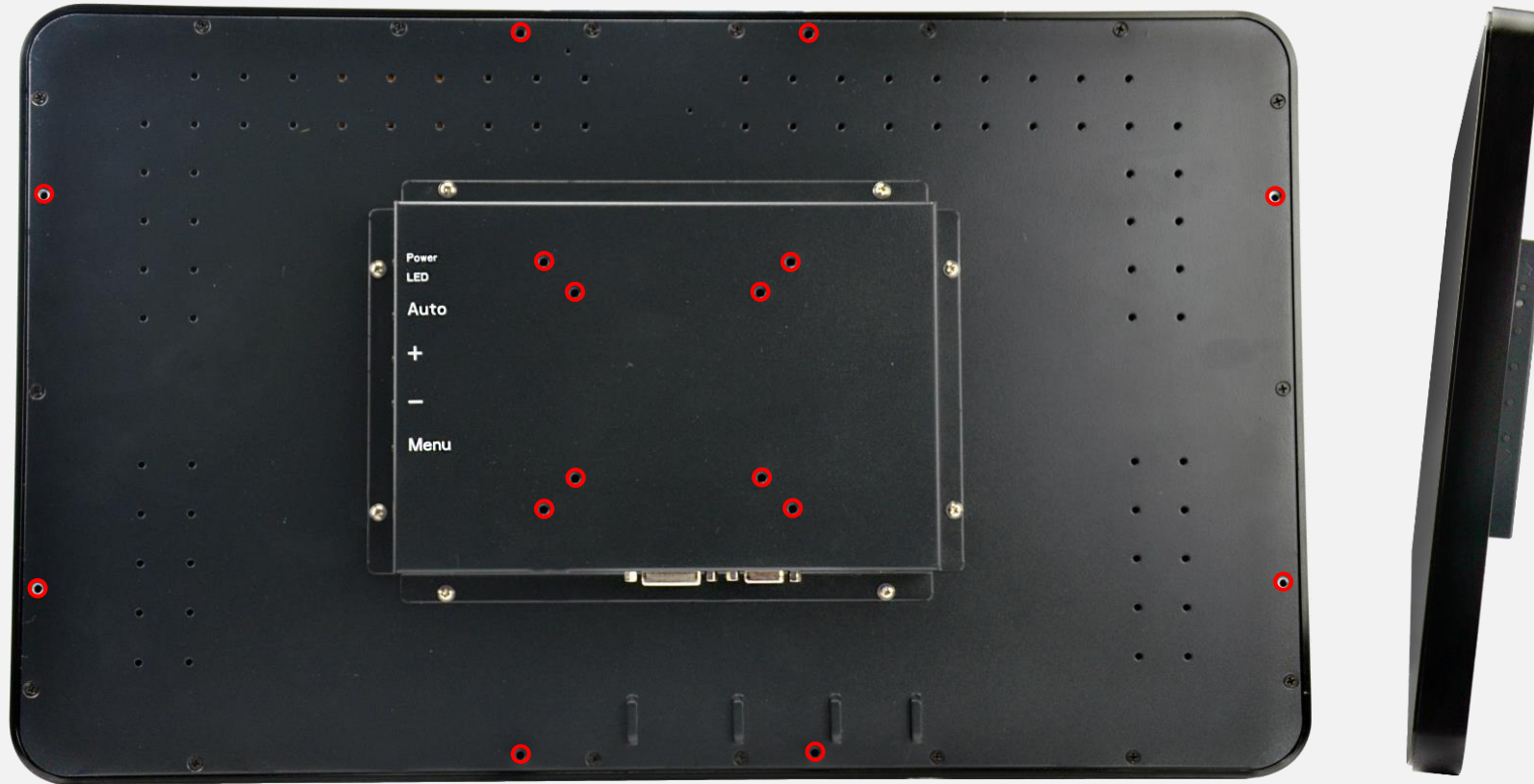
4 711404 023989 >

\* IP54: The IP Code classifies how resistant a device is to foreign objects and moisture. IP54 means that the monitor will operate in dusty conditions, and will resist splashing water.

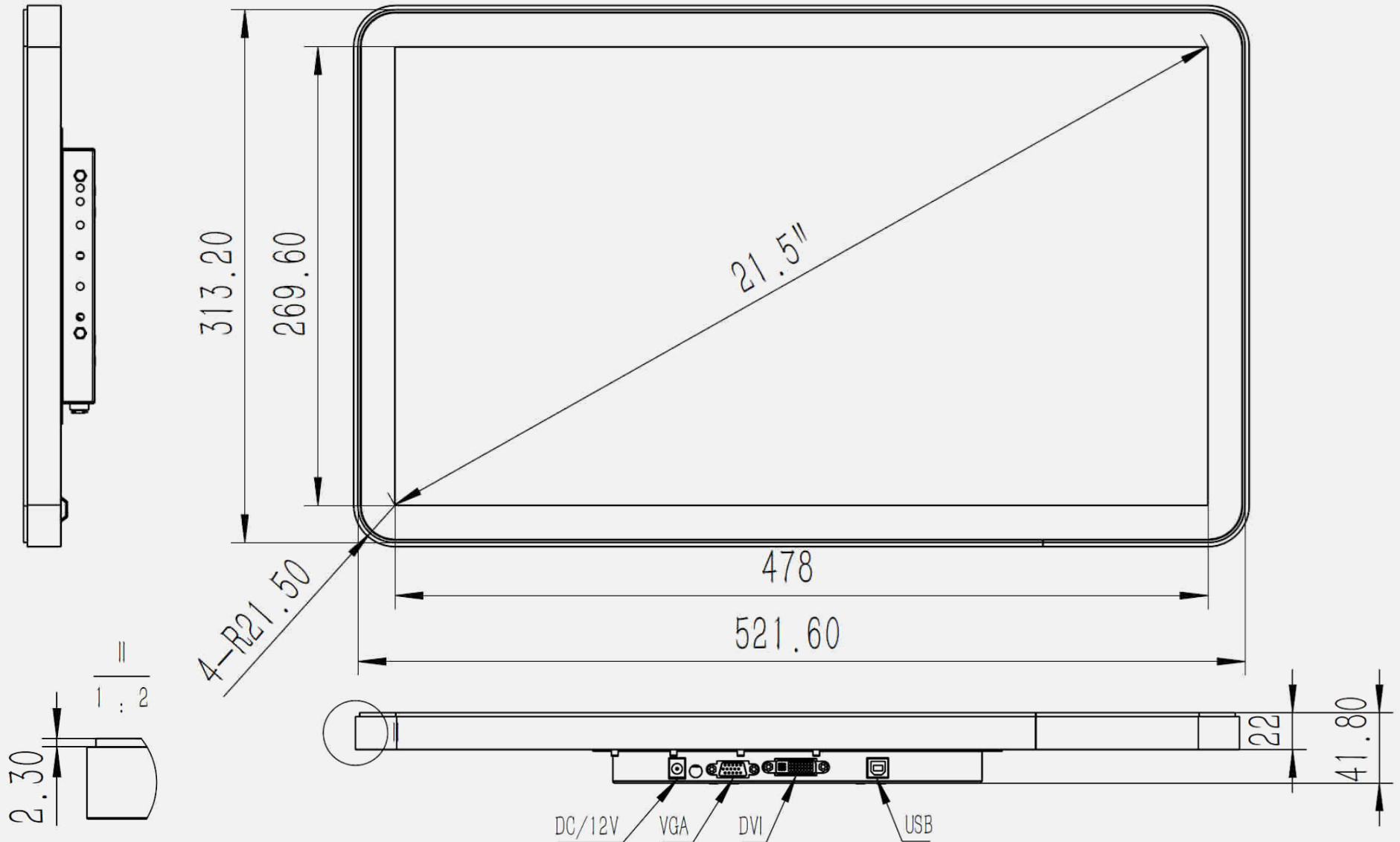
**HANNSpree**

# HO 225 DTB 21.5" Open Frame Touch Monitor

Experts in **Display**



## HO 225 DTB 21.5" Open Frame Touch Monitor



## HO 225 DTB 21.5" Open Frame Touch Monitor

