

Security Tablet Mount with Built-in Keylock, suitable for HANNspree 13.3" Tablet PC's **Zeus 3 (P/N: SN14TP6B)**

Ideal for kiosks, POS, businesses, schools, retail, offices, lobbies, hotels, hospitals, events, etc.

Anti-theft & anti-tamper design to suit a wide array of applications for security purposes.

The power & accessory cords can be fed through the openings on the enclosure.

Built from a strong material to prevent breakage or tampering.

The built-in keylock keeps the enclosure safe and secure.

- Suitable for our 13.3" HANNspree Tablet PC's
- Built-in Locking Key Mechanism
- Kensington Lock
- Material: Metal
- Color: Black
- VESA Standard 75x75 & 100x100 mm
- Dimensions Metal Case: 410.85 x 232.37 x 22.8 mm
- Dimensions Single Box: 430 x 252 x 43 mm
- Dimensions Master Box: 448 x 441 x 263 mm
- Net Weight: 2.96 Kg
- Gross Weight Master Box: 35.90 Kg
- Master Box: 10 pcs each



PART. NO.:
80-PF000001G000

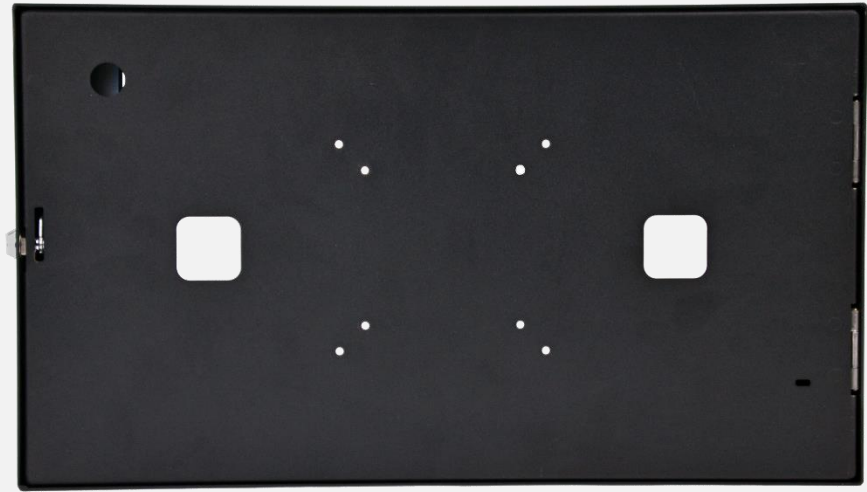
EAN CODE:
4711404022470

Display Solutions

HANNSpree

13.3" Metal Security Tablet Mount

Experts in **Display**



Display Solutions

HANNSpree

13.3" Metal Security Tablet Mount

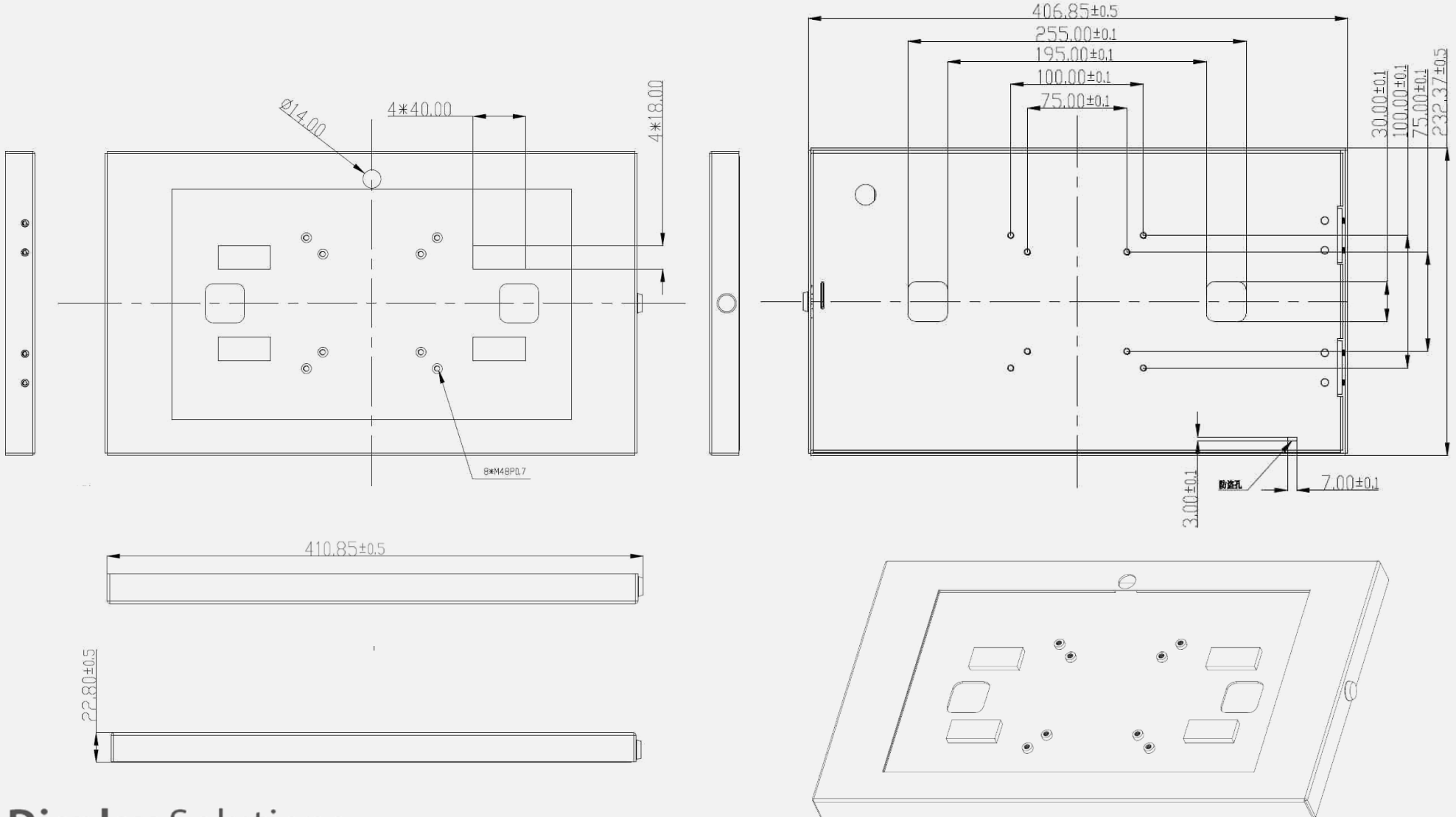
Experts in **Display**



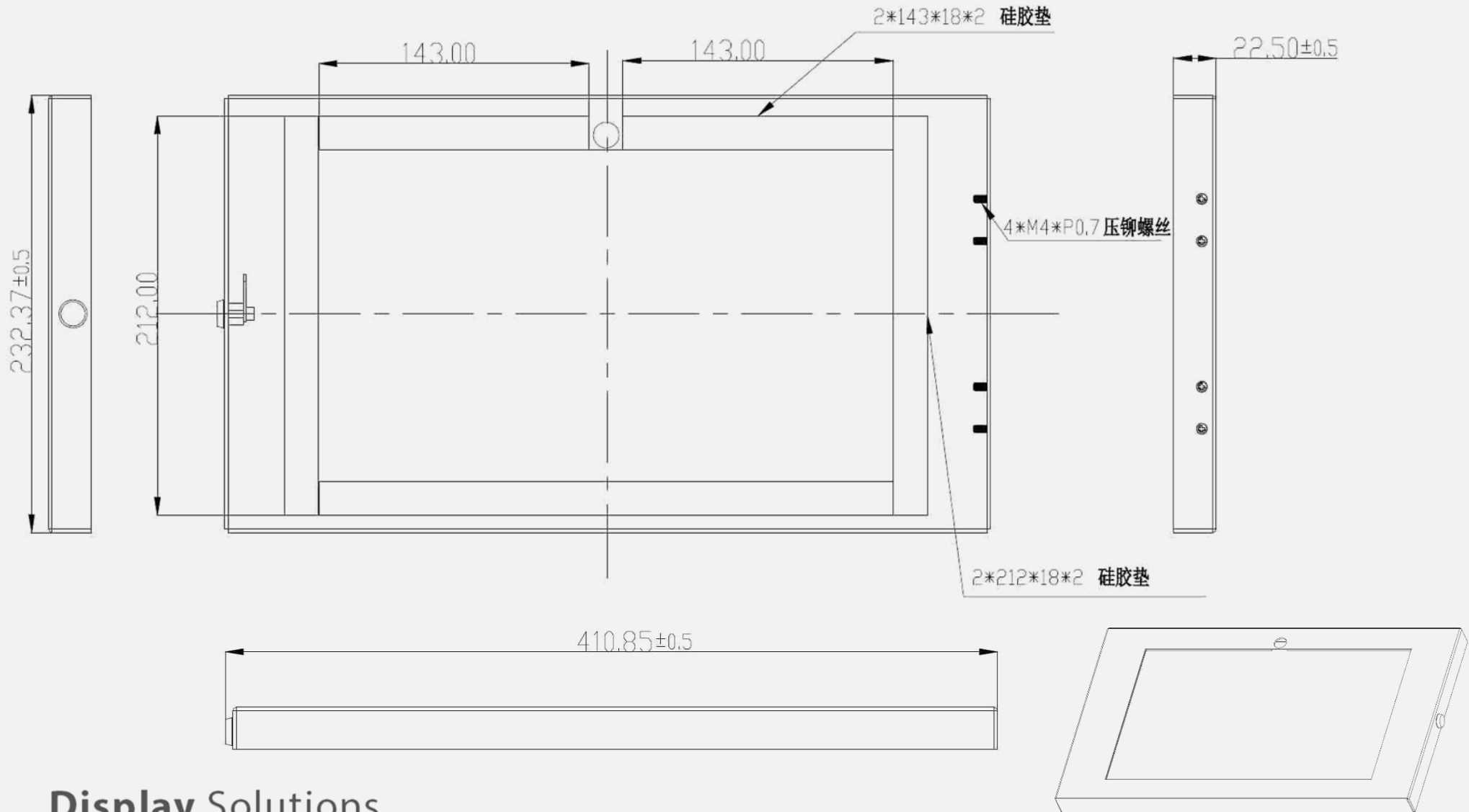
Display Solutions

POS Stand, P/N: 80-04000006G000, not included

Technical Drawing – Finish Case



Technical Drawing – Front Cover



Technical Drawing – Inner Part

